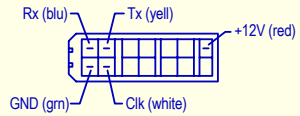
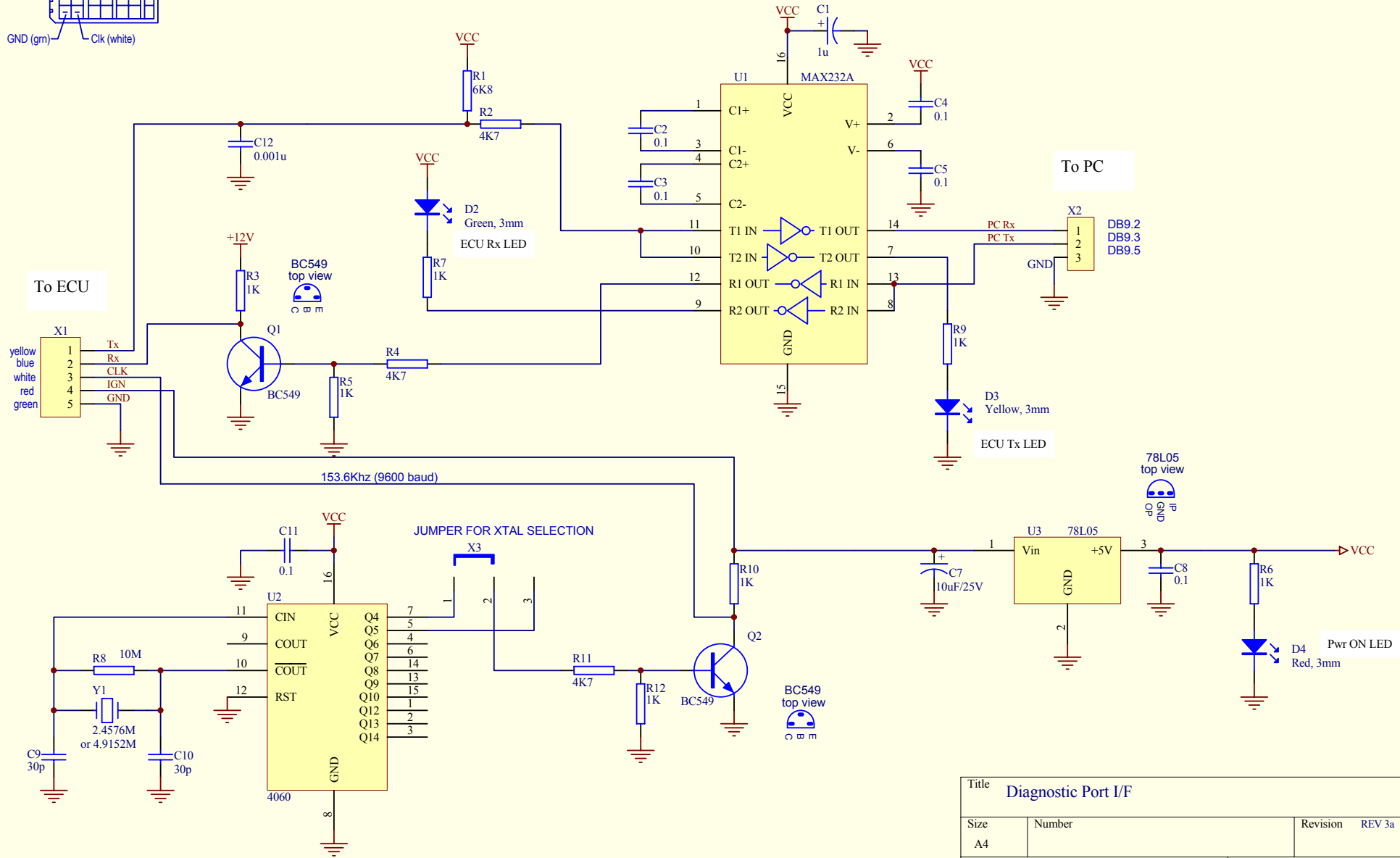


CONSULT CONNECTOR (looking into connector on vehicle)



If you use a MAX232A then C2 - C5 can be 0.1uF,
if you use a MAX232 then C2 - C5 must be 1.0uF



Title			Diagnostic Port I/F		
Size	Number	Revision		REV 3a	
A4					
Date:	29-Aug-2004	Sheet 1 of 1			
File:	G:\Projects\...\Diagnostic Port IF3a.sch	Drawn By: PL			